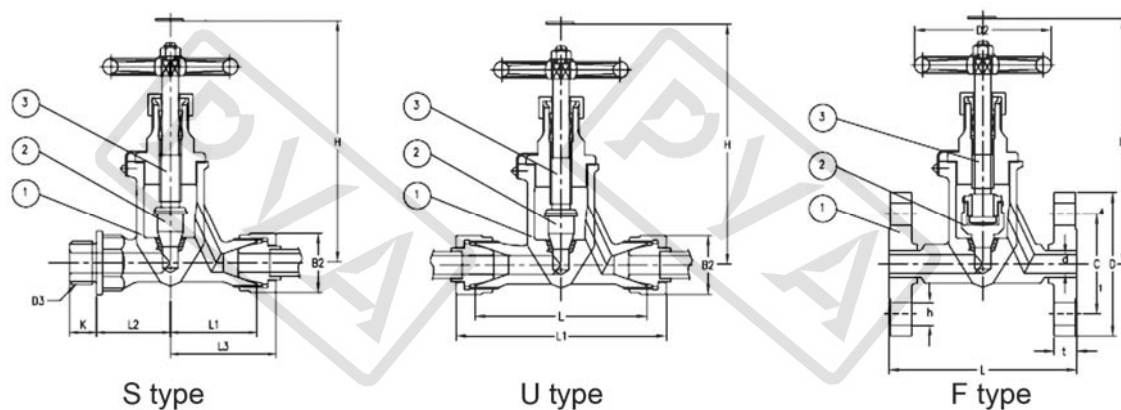


JISF7336 30K FORGED STEEL GLOBE AIR VALVE S/U/F Type



Pressure Test MPa			
Nominal Pressure/PN	3.0MPa	Shell Test	6.90 MPa
		Seat Test	5.06 MPa

Main material for fittings			
Item	Fittings	Material	Mark
1	Body	Forged Steel	SF440A
2	Bonnet	Forged Steel	SF440A
3	Disc	Stainless Steel	SS420J1
4	Seat	Stainless Steel	SS420J1
5	Stem	Stainless Steel	SS400
6	Handwheel	Cast Iron	FC200

Main data for flange connection													mm	
Model	Face To Face					Flange				Structure Dimension			Weight	
	L	L1	L2	L3	K	D	C	n	h	H	B2	D3	Kgs	
F7336 30K6S	-	42	38	51	12	-	-	-	-	152	30	M20*1.5	1.26	
F7336 30K10S	-	51	45	63	16	-	-	-	-	152	41	M24*2	1.80	
F7336 30K6U	84	102	-	-	-	-	-	-	-	152	30	-	1.30	
F7336 30K10U	102	126	-	-	-	-	-	-	-	152	41	-	1.94	
F7336 30K15F	150	-	-	-	-	115	80	4	19	-	-	-	5.60	
F7336 30K20F	170	-	-	-	-	120	85	4	19	-	-	-	7.09	
F7336 30K25F	200	-	-	-	-	130	95	4	19	-	-	-	9.46	

Design	Check	Signature	Logo	Supplier
asbsey	Chrit	Figor		PROMET VALVES AUSTRALIA
JAN.01,2013	JAN.01,2013	JAN.01,2013		